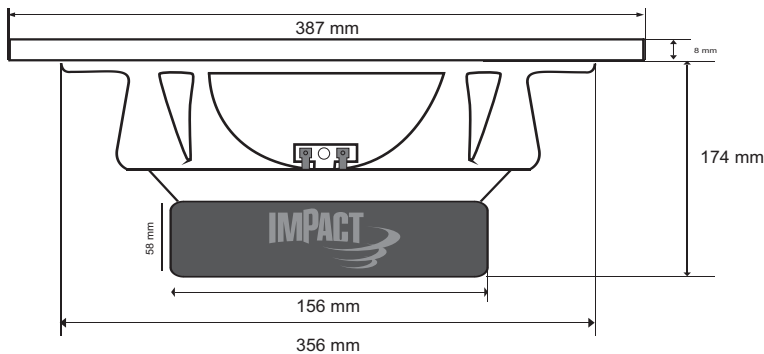




- 15" (380 mm) SUBWOOFER
- Frequency range: 20÷ 300 Hz
 - RMS/Peak Power: 300/600W
 - Air dried coated paper cone
 - Butyl rubber surround
 - Air cooled ø 65 mm 4 layers voice coil
 - 4 Ohm

Dimensions

Recommended Enclosures



SEALED VENTED

Box Type	Box It	Vent mm n°x ø	length	Box Type
SEALED	43	--	--	SPL
SEALED	50	--	--	Hi-Fi
SEALED	57	--	--	Ext Bass

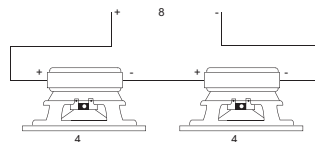
Features

Wiring

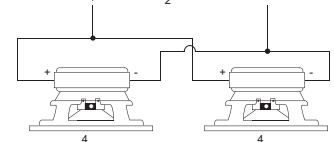
Voice Coil Wiring

		Parallel	Single	Serie
Fs	Hz		23.12	
Re	Ohm		3.8	
Qms			6.26	
Qes			0.59	
Qts			0.54	
Vas	Litres		171.57	
Mms	Gr		306,78	
Cms	mm/Newton		0.15	
Bl	Tesla-m		16.96	
L @ 1KHz	mH		4.73	
Area	Cm2		892	
X-max (+/-)	mm		10.5	
SPL ref	dB		89.8	

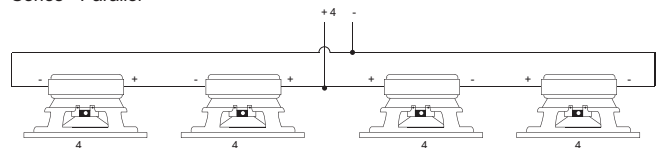
Series



Parallel



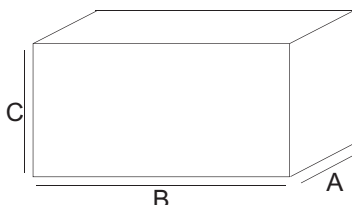
Series - Parallel



Calculating Volume - Calcolo del volume di una cassa

BOX TYPE A

$$\text{Volume} = \frac{A \times B \times C \text{ (cm)}}{1.000} \text{ (litres)}$$



- Calculating volume is just a matter of measuring the inner dimensions in cm and using the formula:
- Per calcolare il volume di una cassa, misurate le dimensioni interne in cm e applicate la formula:
- Zur Volumen-Berechnung benötigen sie die genauen Masse und Dimensionen in Zentimetern:
- On calcule le volume en mesurant la dimension de chaque cote et en utilisant la formule suivante:

BOX TYPE B

$$\text{Volume} = \frac{\left(\frac{B+D}{2}\right) \times A \times C \text{ (cm)}}{1.000} \text{ (litres)}$$

